

T-Angle Connector Clamps

Aluminum / Stainless Steel

SPECIFICATION

Identification No.

No. **2**: With 2 stainless steel socket cap screws DIN 912

Version in Aluminum

Powder coated

Black, RAL 9005, textured finish **SW**

Plain finish, matte shot-blasted **BL**

Version in Stainless Steel

Stainless steel AISI CF-8 **NI**

Matte shot-blasted

Socket cap screws DIN 912

Stainless steel AISI 304

Hex nuts DIN 985

Stainless steel AISI 304

Self-locking via polyamide ring



INFORMATION

The clamping bores of T-angle connector clamps GN 191 are mechanically machined and designed for construction tubes GN 990 (see page 1902) or DIN 2391, DIN 2395 and DIN 2462.

At the screw locations z_1 / z_2 , the socket cap screws reduce the bore cross-section for clamping.

For clamping without tools, the socket cap screws can be replaced by the adjustable hand levers GN 911 (see page 1874) / GN 911.3 (see page 1875) listed in the table as accessories.

ACCESSORY

- Adjustable Hand Levers GN 911 (see page 1874) GN 911.3 (see page 1875)

ON REQUEST

- d_1 / d_2 with unequal bores

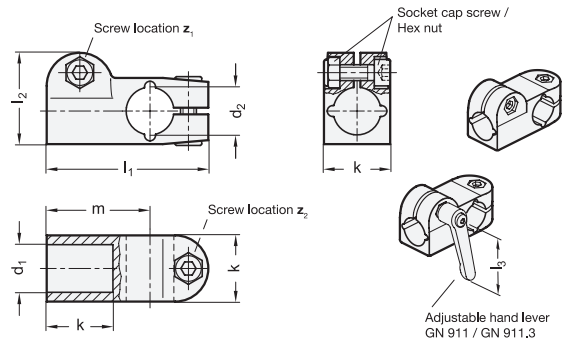
TECHNICAL INFORMATION

- Stainless Steel Characteristics (see page A26)

* Complete with

SW
RAL9005

BL
Plain finish



GN 191-AL

Description	d_1 Bore	d_2 Bore	k Clamping length	l_1	l_2	m	z_1 Screw location	z_2 Screw location	Accessory Recom. hand lever GN 911 for z_1 l_3	
GN 191-B10-B10-2-*	B 10	B 10	25	61	34.5	39	M6-20	M6-20	63	97
GN 191-B12-B12-2-*	B 12	B 12	25	61	34.5	39	M6-20	M6-20	45 63	93
GN 191-B14-B14-2-*	B 14	B 14	25	61	34.5	39	M6-20	M6-20	45 63	86
GN 191-B15-B15-2-*	B 15	B 15	25	61	34.5	39	M6-20	M6-20	45 63	85
GN 191-B16-B16-2-*	B 16	B 16	25	61	34.5	39	M6-20	M6-20	45 63	84
GN 191-B18-B18-2-*	B 18	B 18	25	61	34.5	39	M6-20	M6-20	45 63	83

Weight BL

GN 191-NI

STAINLESS STEEL

Description	d_1 Bore	d_2 Bore	k Clamping length	l_1	l_2	m	z_1 Screw location	z_2 Screw location	Accessory Recom. hand lever GN 911.3 for z_1 l_3	Accessory Recom. hand lever GN 911.3 for z_2 l_3	
GN 191-B12-B12-2-NI	B 12	B 12	25	61	34.5	39	M6-20	M6-20	45 63	45 63	240
GN 191-B14-B14-2-NI	B 14	B 14	25	61	34.5	39	M6-20	M6-20	45 63	45 63	220
GN 191-B15-B15-2-NI	B 15	B 15	25	61	34.5	39	M6-20	M6-20	45 63	45 63	210
GN 191-B16-B16-2-NI	B 16	B 16	25	61	34.5	39	M6-20	M6-20	45 63	45 63	200
GN 191-B18-B18-2-NI	B 18	B 18	25	61	34.5	39	M6-20	M6-20	45 63	45 63	175
GN 191-B20-B20-2-NI	B 20	B 20	25	61	34.5	39	M6-20	M6-20	45 63	45 63	140